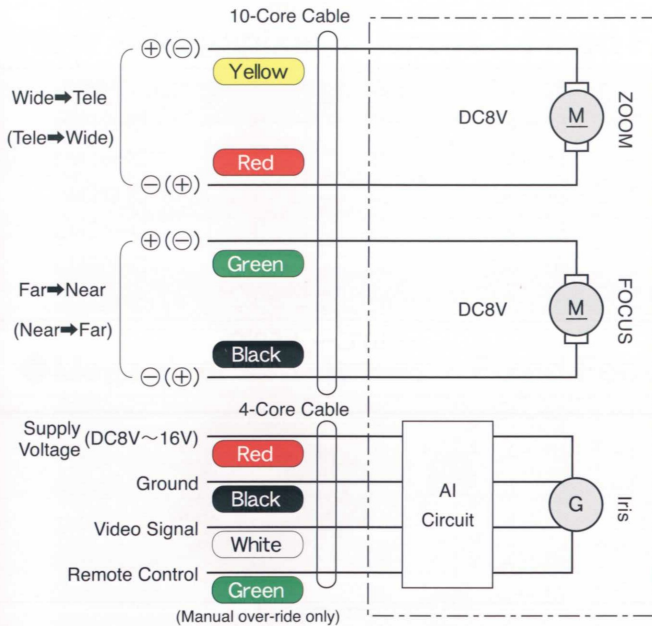


Wiring Diagram for Motorized Zoom Auto Iris Lenses

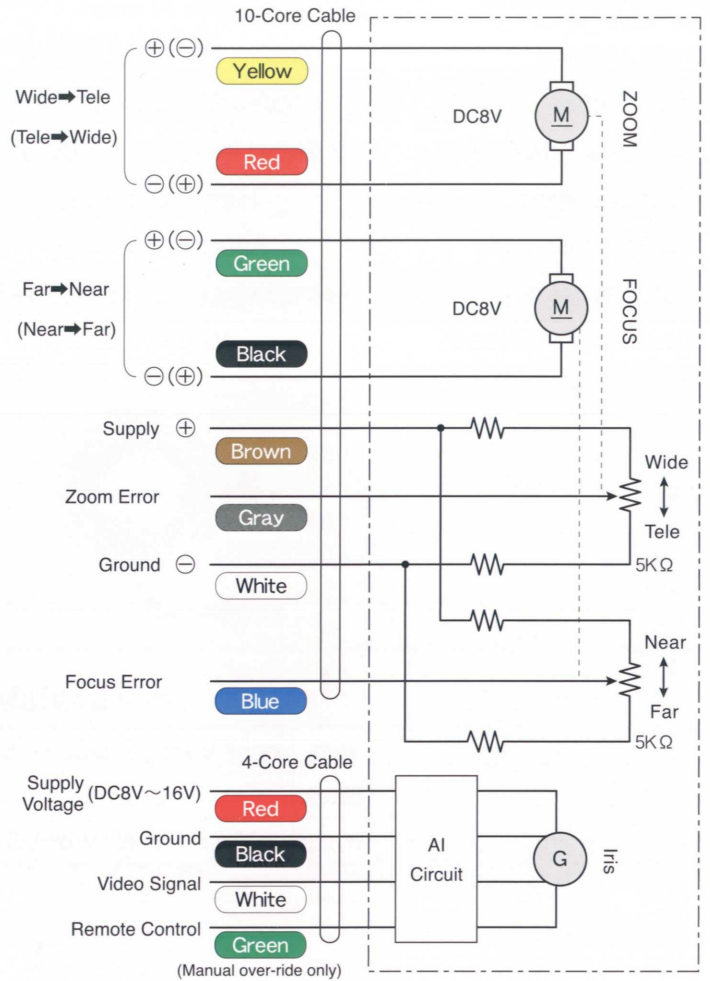
Auto iris with Motorized Zoom, Focus (AM Type)



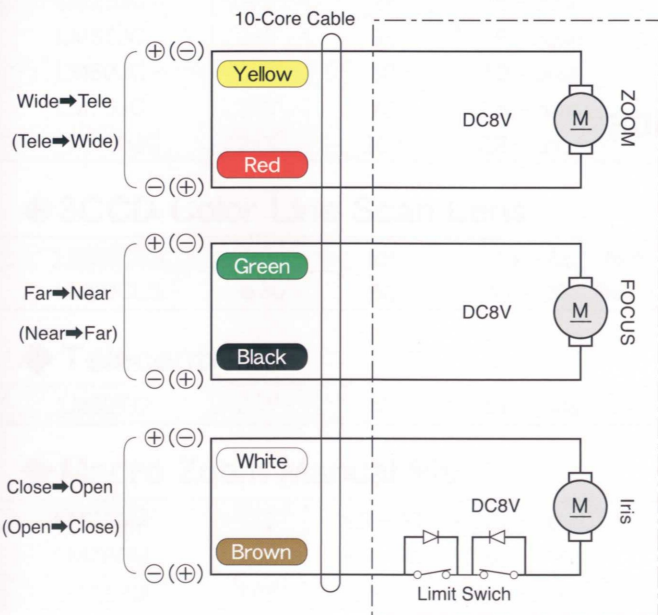
N.B.

The following are wiring diagrams of our standard models. For other detailed information, see the instruction manual in each individual box.

AI, Motorized Zoom with Preset on Zoom, Focus (AMP Type)



Motorized Zoom 3 Motor Type (M3 Type)



Z/F Motor Electrical Information

	Z/F	Z/F	Z/F	Z/F
Input Voltage	DC6V-12V	DC6V-12V	DC6V-12V	DC6V-12V
Current Consumption	Max 60mA	Max 60mA	Max 60mA	Max 60mA
Speed (at DC8V)	approx 7sec	approx 10sec	approx 14sec	approx 11/28sec
Model No	LMEZ36AM LMZ109AMR LMZ111AMR LMZ110AMR LMZ200AMR LMZ76AMR LMZ107AMR LMZ106AMR	LMZ112AM LMZ300AM LMVZ400 AMPDC	LMZ250AM	LMZ375AM LMZ750AM